

IKI-35

self-powered protection relay acc. to IEC 60255
reliable & compact protection for distribution network

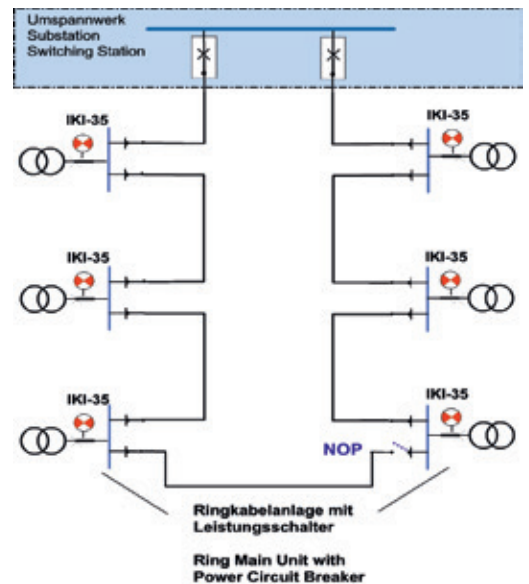


- **Self-powered overcurrent protection relay**

- Application for transformer or feeder protection
- Available with wide-range CTs
- Overcurrent, short circuit and optional earth fault stage
- Intuitive operation and setting by display
- Inrush restraint function
- Event recorder
- Earth fault stage selectable by balanced core CT or asymmetry calculation from three single core CTs

- **Protection Characteristics**

- DMT \triangleright [ANSI 51]
- IDMT \triangleright , four characteristics selectable [ANSI 51]
- 2 short circuit stages $\triangleright\triangleright$, $\triangleright\triangleright\triangleright$ [ANSI 50]
- external fast trip
- earth fault stage DMT or IDMT $I_{e>}$ [ANSI 51N or 51G]
- inherent earth fault stage $I_{e>>}$ [ANSI 50N or 50G]



- **Tripping coil optional**

- Low power tripping coil, 0.02 Ws, no external supply
- Low power tripping coil, 24 V/0.1 Ws, no external supply
- Standard tripping coil (separate capacitive power storage PSU)

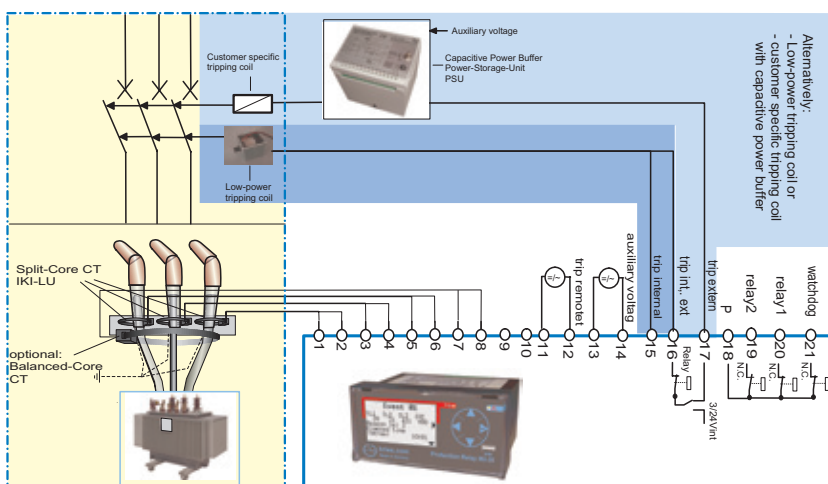
- **Self test function**

- **Event recorder**

for up to 20 events; download via standard Mini-USB cable to PC

- **Maintenance minimised due to self powering by CTs**

(Buffer battery lifetime > 15 years if no CT supply is available)



IKI-35

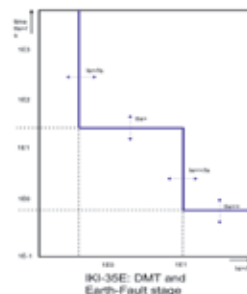
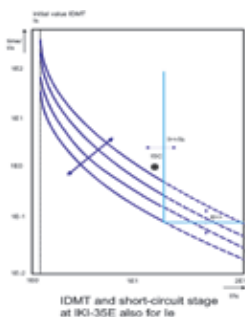
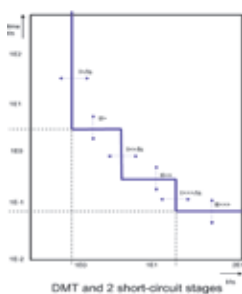
self-powered protection relay acc. to IEC 60255
reliable & compact protection for distribution network



Technical Data

Parameter setting by display or via USB interface and PC software Kries-Config

CT-Type	wide-range CT	wide-range CT IKI-LUM-D92
Nominal current I_n	primary side nominal current	selectable 10 ... 250 A selectable 100 ... 400 A (with HC adaptor)
Short Circuit stage $I_{>>}$: pickup values delay time	ratio $I_{>>}/I_n$, $I_{>>}/I_n$ $tI_{>>}$, $tI_{>>}$	selectable 2..20 or deactivated selectable 0..2 s
Overcurrent stage $I_{>}$: DMT-pickup delay time IDMT 1/2/3/4 initial value shifting factor	ratio $I_{>}/I_n$ $tI_{>}$ inverse characteristics ratio $I_{>}/I_n$ v	selectable 1.1 ... 3 selectable 0.3 ... 300 s selectable 1. extremely; 2. very; 3. normal; 4. long time selectable 1.1 ... 3 selectable 0.05 ... 10 s
Earth fault stage $I_{e>}$: Earth fault pickup value delay time $I_{e>}$ _DMT-pickup value delay time $I_{e>}$ _IDMT 1/2/3/4 initial value shifting factor	ratio $I_{e>}/I_n$ $tI_{e>}$ ratio $I_{e>}/I_n$ $tI_{e>}$ inverse characteristics ratio $I_{e>}/I_n$ v	selectable 0.1 ... 2 or deactivated selectable 0 ... 2 s selectable 0.1 ... 2 selectable 0 ... 5 s selectable 1. extremely; 2. very; 3. normal; 4. long time selectable 0.1 ... 2 selectable 0.05 ... 10 s
Frequency	of network	selectable 50/60 Hz
Inherent time	approximately 43 ms	
Reset	for trip indication	selectable 2 h/4 h/8 h or autom. after current recovery/ by push buttons
Relays	2	function selectable: NC/ NO, selectable logic: $I_{>}$ + $I_{e>}$; $I_{>}$; $I_{e>}$; Trip
Auxiliary supply	CT-supplied	buffered by lithium battery ; alternatively 24 ... 230 VAC/DC;
Earth fault stage	by asymmetry calculation or with separate balanced core CT at input 4	
Product standard	IEC 60255-5	
Operation / storage temperature	-40 °C ... +70 °C / -40 °C ... +80 °C	
Housing	front panel mounting dimensions recommended cutout	DIN 43700 wxhxd=96 x 48 x 80 mm 92 x 45 mm
Protection degree	IP 40	Optional: protection degree front IP 54
Current transformers	connected to input 1, 2, 3: optionally to input 4:	split core current transformer type IKI-LUM-D92 balanced current split core transformer type IKI-GSU_d60_314_diwi
Types and item nos IKI-35_24 Wall mountable housing HC adaptor (Set) Kries-Config PC software	2520456 2500994 2502257 2501986	order additionally: 3x wide-range CTs IKI-LUM-D92 For nominal current 100 ... 400 A Configuration and event recoder read-out via PC



Kries-Energietechnik GmbH & Co. KG

Sandwiesenstr. 19
D-71334 Waiblingen

Telefon +49 7151 96932-0
Fax +49 7151 96932-160

service@kries.com
www.kries.com